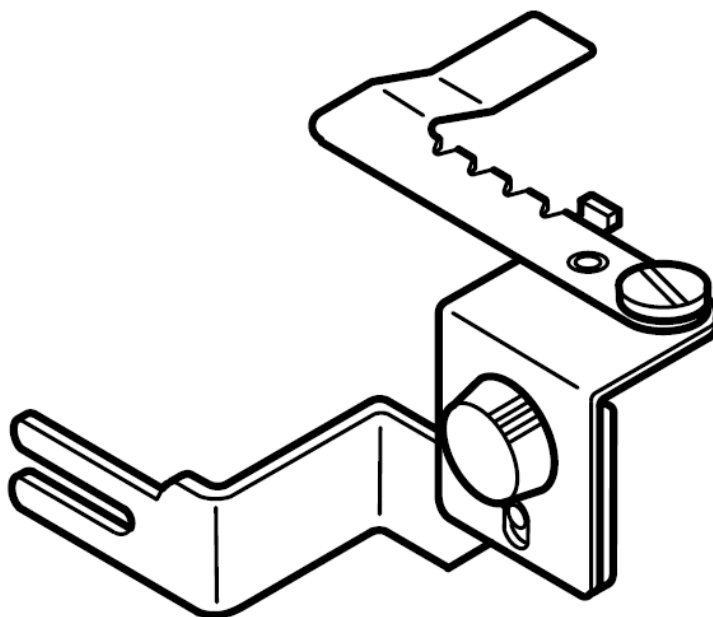


JANOME

Accessory of the Month

May 2018



Gathering Attachment

Especially designed to use with your overlocker this attachment creates wonderful even gathers. This speciality accessory is useful when sewing large amounts of fabric and you require a faster and even finish, i.e. bed linens and bridal gowns. With the help of this super attachment you can also gather and sew onto a flat piece of fabric in one easy operation as the attachment allows for two pieces to feed into the overlocker at the same time.

This Accessory of the Month has a bonus project for you to make using the Gathering Attachment. Press the link to download the project .

[FAUX SKIRT FRILL APRON](#)

Part Number	Compatible Machines
200 217 101	MyLock and EzyLock overlockers. (*See note below)
200 268 107	Janome Compulock
	*Excludes Janome 134D, 234, 234D, 534D Overlockers