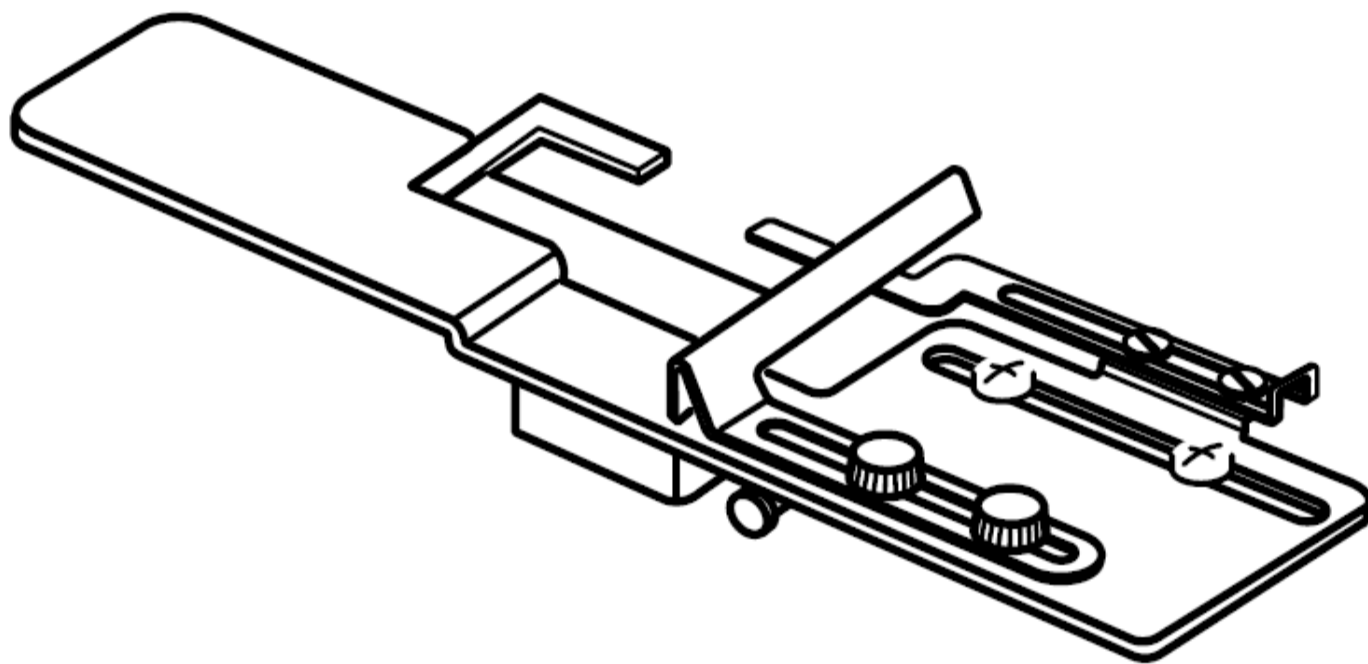


JANOME

Accessory of the Month

June 2018



Cover Hem Guide Attachment

Created to be use with the Janome CoverPro machines this excellent attachment makes hemming a breeze. The hemming guide folds over a consistent width of fabric for you, making it easy to form hems, cuffs and other finished edges. When sewing the hem of a tubular item such as a skirt, you can press the release button as you near the finish to release the guide and then finish the rest of the hem. Working with the attachment enables for movement to still be possible in the hem of the garment once complete.

This Accessory of the Month has a bonus project for you to make using the Cover Hem Guide Attachment. Press the link to download the project .

[SIMPLE WRAP PANTS](#)

Part Number	Compatible Machines
795839104	Janome CoverPro 2000CPX, 1000CPX, 1000CP, 900CP