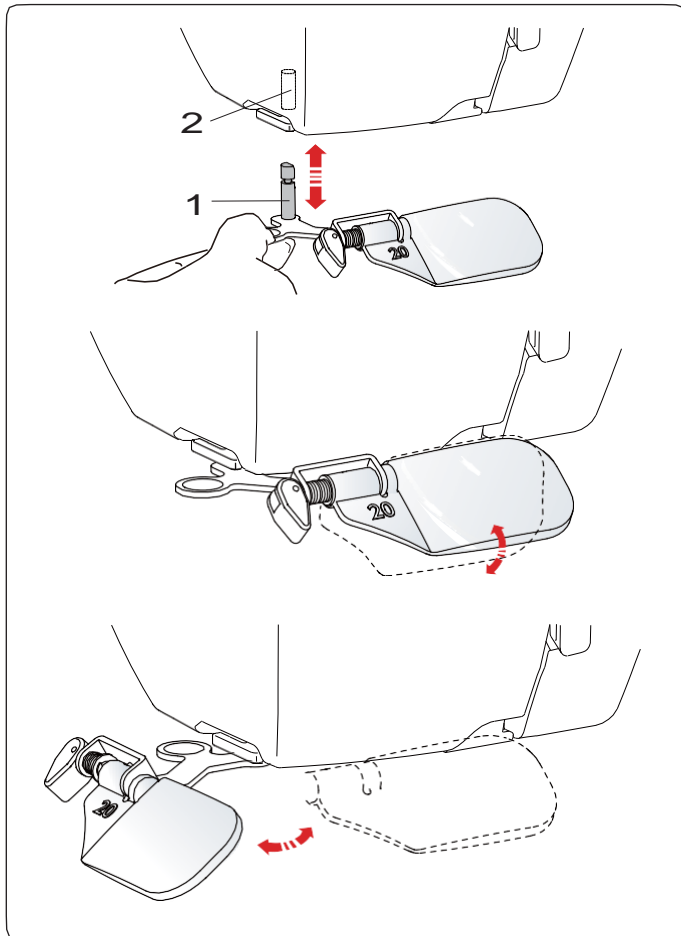


JANOME

The following instructions are for the Janome Optic / AcuView Magnifier



Optic Magnifier

Use the magnifier to get a larger view of the needle area.

Attaching the magnifier

Hold the knob with your fingers and insert the pin into the hole in the bottom of the face plate. Push the magnifier up until it snaps to fit. Adjust the angle to get the best view.

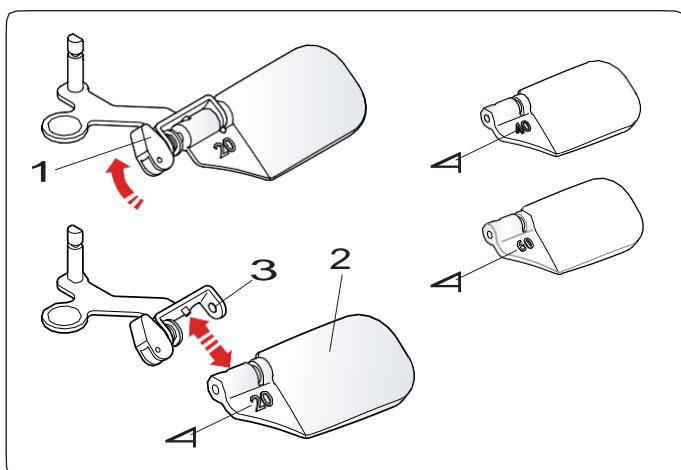
- 1 Pin
- 2 Hole

Removing the magnifier

If the magnifier is not in use, turn it to the left out of sight or pull it down to remove.

CAUTION:

Do not use or leave the magnifier in the direct sunlight, otherwise it may cause a fire or burn.
Do not look at the sun through the magnifier as it can damage your eyes.
Do not hit or exert excessive force on the optic magnifier as this may cause damage when it is attached.



Replacing the magnifier for

Part number 202 130 002

To remove the lens, push or pull the lever 1 to the opposite side to draw the pin out of the lens.

Remove the lens from the metal.

To attach the lens, insert it into the metal part 3 as illustrated.

Push or pull the lever 1 to the opposite side to fix the lens.

Higher numbers 4 indicates stronger magnification.

- 1 Lever
- 2 Lens
- 3 Metal part
- 4 Number