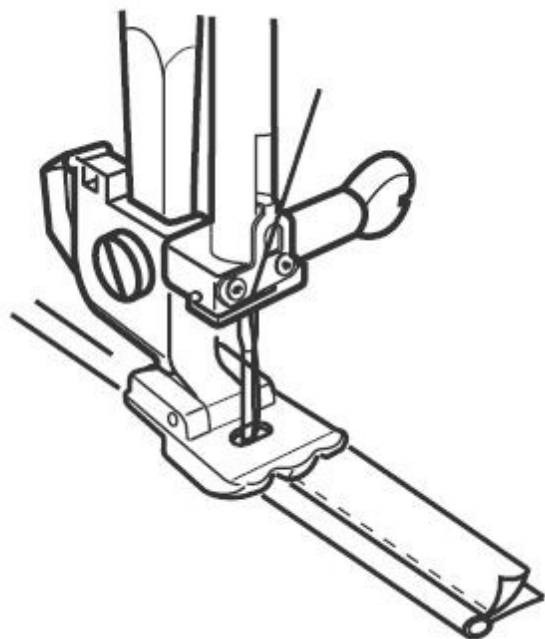


JANOME

Accessory of the Month

November 2017



Piping Foot

This foot is for making and applying piping. The corded part of the tape fits under the left groove on the bottom of the foot. Can also be used with prepared piping or specialty piping.

If ready made piping cord is not available or if you just want to make your own, the piping foot is ideal for the job. The piping foot (sometimes mistakenly referred to as the cording foot) is designed with two grooves on the underside and will hold and cover the cord when making piping tape. It can also be used for attaching piping. Maximum cord size is 5 mm.

This Accessory of the Month does have a bonus project for you to make using the Piping Foot. Press the link to download the project.

[PIPING CORD EMBELLISHED TABLE RUNNER](#)

Part Number	Compatible Machines
202088004	9mm Top Loading
200314006	7mm Top Loading