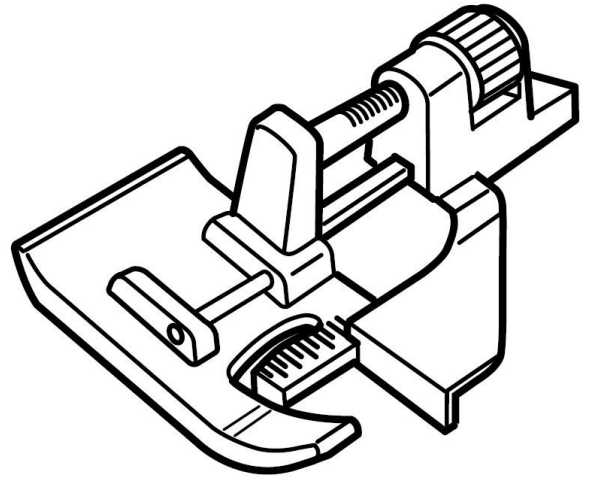


JANOME

Accessory of the Month

October 2018



Edge Guide Foot

The guide on this foot aligns edges/seams of fabric so that neatly parallel edge stitching and top-stitching can be achieved with ease. Using the red markings that are at 1mm increments on this foot will allow you to fine-tune the guide to the perfect position while staying effortlessly straight as you sew. The foot can be used in many different ways some of which include: measured seams, top-stitching, hems or even adding decorative trims to projects.

This Accessory of the Month has a bonus project for you to make using the Janome Edge Guide Foot. Press the link to download the project .

[CHRISTMAS ADVENT CALENDAR](#)

Part Number	Compatible Machines
202 100 003	9mm Sewing Machines
202 147 002	7mm Sewing Machines